

ASTAV CLIP-IN METAL CEILING SPECIFICATIONS

... x ... mm Sized Clip-in Ceiling System

General Description:

Galvanized Steel/Aluminum ceiling panels supported by fully concealed suspension system manufactured in accordance with European standards by ASTAV that have ISO9001:2008, TS EN 13964 : 2008 certificates.

Ceilings are tested in accordance with EN 13501-1 and must be designed to comply with at least Euroclass B-S1-D0

Panel Description:

- Raw material: Ceiling panels manufactured from ... mm Galvanized Steel / Aluminium.
- Color : Ceiling panels coated electrostatic applied powder coating colored RAL ... (min. 25 µ thickness and approx. %20 Gloss Rate)
- Acoustical Tissue (Optional): Ceiling panels are manufactured with 0.20 mm thickness, Fireproof Black Fiberglass Acoustical Tissue to achieve sound absorption.
- Perforation: Ceiling panels are perforated Ø2.5 mm (% ... open area) and plain/flat/imperforated borders are ... mm.
- All visible painted surfaces are coated with Antibacterial painting.

Suspension System:

1. As-Carrier® Clip-in Main Carrier: Galvanized Steel, 0.50mm thickness, 35x30x4000mm
2. As-Carrier® Wall angle "U": Prepainted Galvanized Steel, 0.50mm thickness, 20x40x20x3050mm
3. As-Carrier® Clip-in Clips: 2.00mm thickness, galvanized spring steel
4. As-Carrier® Clip-in Main Carrier Connector: Galvanized Steel, 0.50mm thickness
5. As-Carrier® Clip-in Pressing Spring
6. As-Carrier® Clip-in Quick Fixing (Spring Type)
7. As-Carrier® Galvanized Hanger: Ø4 mm, 500mm length (Standard)
8. As-Carrier® Sleeve Anchor that coated by zinc against corrosion

ASTAV PANEL ALÜMİNYUM SAN. TİC. LTD. ŞTİ.

Saray Mah. Keresteciler San. Sit. 10.Sokak No: 41

06980, Kazan / Ankara / Türkiye

Tel : (+90-312) 354 14 66(pbx)

Fax: (+90-312) 354 32 16

e-mail: info@astav.com.tr

web: www.astav.com.tr

Installation:

As-Carrier[®] Wall angle "U" should be used for lateral sides facing inwards of the wall. The first hanger system should not exceed 450 mm distance from the wall and the distance between hangers could be max 1000mm. As-Carrier[®] Clip-in Quick Fixing, As-Carrier[®] Galvanized Hanger and As-Carrier[®] Sleeve Anchor will be used to suspend the As-Carrier[®] Clip-in Main Carrier securely. (See System Drawing,pg.3) The distance between As-Carrier[®] Wall angle "U" and As-Carrier[®] Clip-in Main Carrier should be max. 600 mm. The distance between As-Carrier[®] Clip-in Main Carrier should not exceed 1200mm. As-Carrier[®] Clip-in Cross Carriers should be positioned on 600 mm away from each. As-Carrier[®] Clip-in Main Carrier and As-Carrier[®] Clip-in Cross Carrier are connected by using As-Carrier[®] Clip-in Clips. In order to add one As-Carrier[®] Clip-in Main Carrier to another linearly; As-Carrier[®] Clip-in Main Carrier Connector should be used. All Astav Clip-in panels should be removed with a special tool.

ASTAV PANEL ALÜMİNYUM SAN. TİC. LTD. ŞTİ.

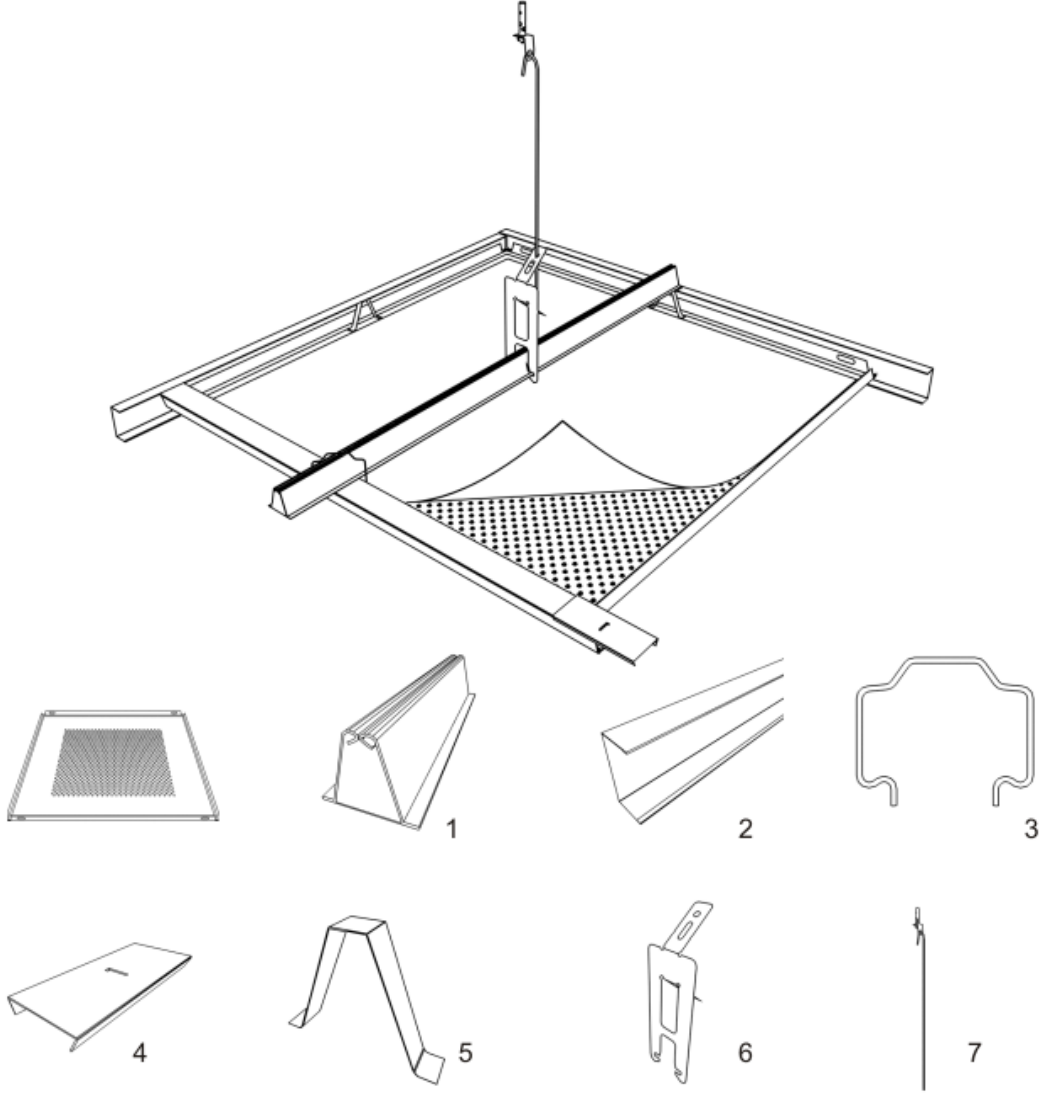
Saray Mah. Keresteciler San. Sit. 10.Sokak No: 41
06980, Kazan / Ankara / Türkiye

Tel : (+90-312) 354 14 66(pbx)

Fax: (+90-312) 354 32 16

e-mail: info@astav.com.tr

web: www.astav.com.tr



Clip-in Sistem Asma Tavan Ağırlık, Paket ve m² Analizi

Clip-in System Ceiling Weight, Packaging & m² Analysis

Ürün Açıklaması Description	Boyut / mm Lenght / mm	En / mm Width / mm	Yükseklik / mm Height / mm	m ² Kullanım m ² Consumption	Gram Gram	Paket / ad. Package / Pcs	Paket Ağırlığı kg / Paket Package Weight kg / Package
1 Ana Taşıyıcı Profili Clip-in Main Carrier	4000	35	30	2,50 / m	358 / m	30	43
2 Duvar Dibi "U" Profili Wall Angle "U"	3050	40	20	0,70 / m	225 / m	30	21
3 Bağlantı Yayı Clip-in Clips	-	-	-	1,40 / ad.	4 / ad.	250	1
4 Ana Taşıyıcı Ekleme Parçası Main Carrier Connector	-	-	-	0,45 / ad.	20 / ad.	25	0,5
5 Duvar Dibi Baskı Yayı Clip-in Pressing Spring	-	-	-	1,50 / ad.	4 / ad.	25	0,1
6 Çelik Askı Yayı Clip-in Quick Fixing	-	-	-	0,83 / ad.	18 / ad.	25	0,5
7 Askı Teli Galvanized Hanger	-	-	-	0,83 / ad.	58 / ad.	100	6

ASTAV PANEL ALÜMİNYUM SAN. TİC. LTD. ŞTİ.

Saray Mah. Keresteciler San. Sit. 10.Sokak No: 41

06980, Kazan / Ankara / Türkiye

Tel : (+90-312) 354 14 66(pbx)

Fax: (+90-312) 354 32 16

e-mail: info@astav.com.tr

web: www.astav.com.tr